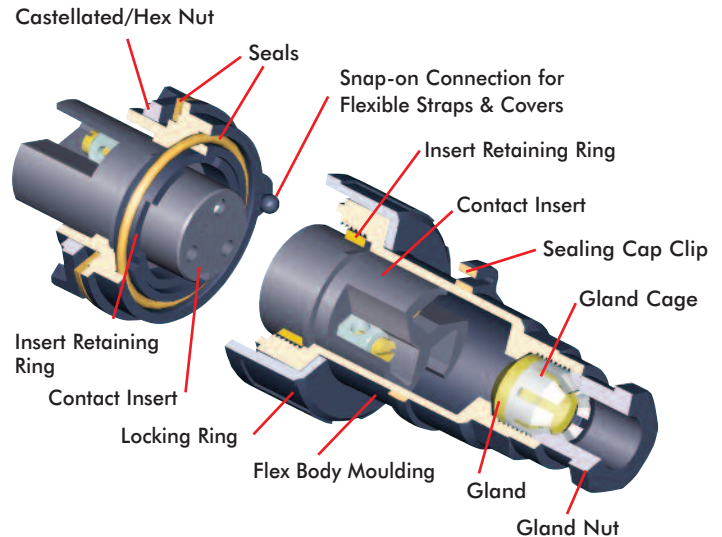


IP68

## Standard Buccaneer®

BUCCANEER



- IP68 rating tested at 1.054kg/sq cm (15lb/sq in) 10m depth for 2 weeks and 9.84kg/sq cm (140lb/sq in) 100m depth for 12 hours
- Water and dustproof to IP68 when mated
- 2, 3, 4, 6, 7, 9, 12 and 25 pole
- 10A, 250V a.c./d.c. 2 pole screw terminal, 3 pole screw terminal and crimp contacts
- 6A, 250V a.c./d.c. 4 pole screw terminal
- 3A, 250V a.c./d.c. 6 and 7 pole screw terminal
- 5A, 150V a.c./d.c. 9 pole crimp contacts
- 5A, 50V a.c./d.c. 12 pole crimp and solder contacts
- 1A, 50V a.c./d.c. 25 pole crimp and solder contacts
- BNC versions 50Ω and 75Ω
- Plug or socket connection in each body style
- Compact design
- Diameter over coupling ring 38mm
- Sealing caps available to maintain IP68 rating of unmated connectors
- 7 body styles - flex cable, in-line flex cable, panel mount (front), panel mount (rear), PCB mount, bulkhead and flange mount
- Leading earth contact for 3 pole socket version
- Positive locating keyways - cannot be mis-connected
- Easy assembly - no special tools required on screw terminal versions
- Cable range from 3.5mm - 9mm
- Colour coded identification variants
- UL, CSA and VDE approvals

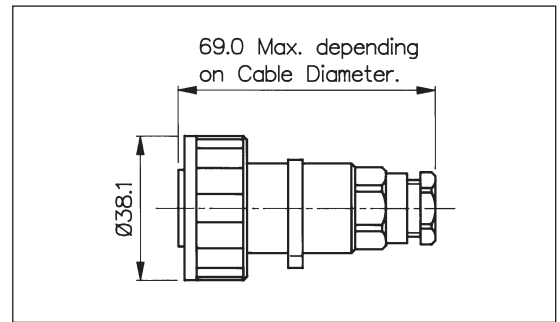
**Standard Buccaneer®**

**FLEX CABLE CONNECTOR**



**PX0731/P**

- Mates with In-Line Flex or Panel Mounting Versions
- Screw Locking Ring
- Pin or Socket Versions
- Leading Earth on 3 pole connectors
- Poles 2, 3, 4, 6, 7, 9, 12, 25 or BNC
- Standard Cable Acceptance (2 to 9 pole) 6-8mm, 3.5-9mm with alternative glands



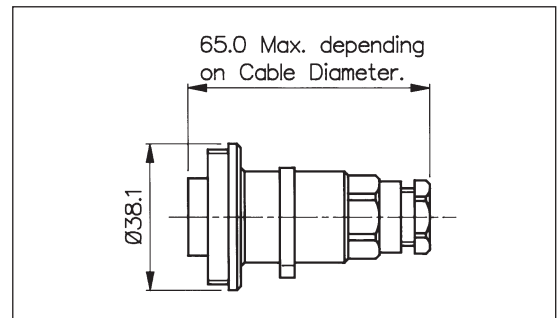
| Poles  | Termination  | Pin Contacts   | Socket Contacts | Contacts         |
|--------|--------------|----------------|-----------------|------------------|
| 2      | Screw        | PX0736/P       | PX0736/S        | Supplied Fitted  |
| 3      | Screw        | PX0731/P       | PX0731/S        | Supplied Fitted  |
| 3      | Crimp        | PX0776/P       | PX0776/S        | Supplied Loose   |
| 4      | Screw        | PX0748/P       | PX0748/S        | Supplied Fitted  |
| 6      | Screw        | PX0739/P       | PX0739/S        | Supplied Fitted  |
| 7      | Screw        | PX0745/P       | PX0745/S        | Supplied Fitted  |
| 9      | Crimp        | PX0728/P       | PX0728/S        | Supplied Loose   |
| 12     | Crimp/Solder | PX0794/P       | PX0794/S        | Order Separately |
| 25     | Crimp/Solder | PX0820/P       | PX0820/S        | Order Separately |
| 50ΩBNC | Crimp        | PX0742/P/50OHM |                 | Supplied Loose   |
| 75ΩBNC | Crimp        | PX0742/P/75OHM |                 | Supplied Loose   |

**IN-LINE FLEX CABLE CONNECTOR**



**PX0732/S**

- Mates with Flex Cable Connector
- Pin or Socket Versions
- Leading Earth on 3 pole connectors
- Poles 2, 3, 4, 6, 7, 9, 12, 25 or BNC
- Standard Cable Acceptance (2 to 9 pole) 6-8mm, 3.5-9mm with alternative glands



| Poles  | Termination  | Pin Contacts | Socket Contacts | Contacts         |
|--------|--------------|--------------|-----------------|------------------|
| 2      | Screw        | PX0737/P     | PX0737/S        | Supplied Fitted  |
| 3      | Screw        | PX0732/P     | PX0732/S        | Supplied Fitted  |
| 3      | Crimp        | PX0778/P     | PX0778/S        | Supplied Loose   |
| 4      | Screw        | PX0749/P     | PX0749/S        | Supplied Fitted  |
| 6      | Screw        | PX0740/P     | PX0740/S        | Supplied Fitted  |
| 7      | Screw        | PX0746/P     | PX0746/S        | Supplied Fitted  |
| 9      | Crimp        | PX0729/P     | PX0729/S        | Supplied Loose   |
| 12     | Crimp/Solder | PX0795/P     | PX0795/S        | Order Separately |
| 25     | Crimp/Solder | PX0821/P     | PX0821/S        | Order Separately |
| 50ΩBNC | Crimp        |              | PX0743/S/50OHM  | Supplied Loose   |
| 75ΩBNC | Crimp        |              | PX0743/S/75OHM  | Supplied Loose   |

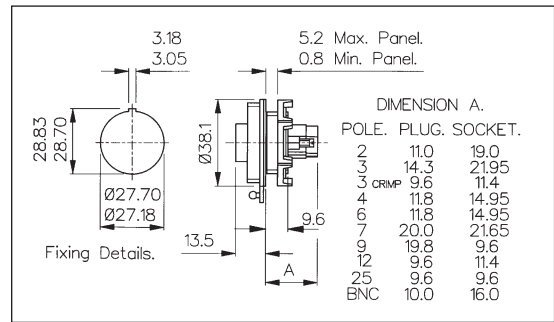
BUCCANEER

Standard Buccaneer®

FRONT PANEL MOUNTING CONNECTOR



- Mates with Flex Cable Connector
- Front panel mounting
- Single Hole Fixing
- Pin or Socket Versions
- Poles 2, 3, 4, 6, 7, 9, 12, 25 or BNC

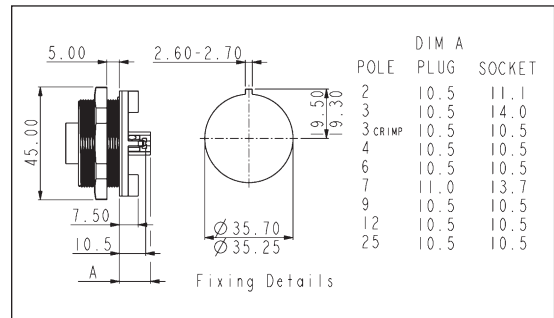


| Poles  | Termination  | Pin Contacts | Socket Contacts | Contacts         |
|--------|--------------|--------------|-----------------|------------------|
| 2      | Screw        | PX0735/P     | PX0735/S        | Supplied Fitted  |
| 3      | Screw        | PX0730/P     | PX0730/S        | Supplied Fitted  |
| 3      | Crimp        | PX0779/P     | PX0779/S        | Supplied Loose   |
| 4      | Screw        | PX0747/P     | PX0747/S        | Supplied Fitted  |
| 6      | Screw        | PX0738/P     | PX0738/S        | Supplied Fitted  |
| 7      | Screw        | PX0744/P     | PX0744/S        | Supplied Fitted  |
| 9      | Crimp        | PX0727/P     | PX0727/S        | Supplied Loose   |
| 12     | Crimp/Solder | PX0796/P     | PX0796/S        | Order Separately |
| 25     | Crimp/Solder | PX0822/P     | PX0822/S        | Order Separately |
| 50ΩBNC | Crimp        |              | PX0741/S/50OHM  | Supplied Loose   |
| 75ΩBNC | Crimp        |              | PX0741/S/75OHM  | Supplied Loose   |

REAR PANEL MOUNTING CONNECTOR



- Mates with Flex Cable Connector
- Rear panel mounting
- Single Hole Fixing
- Pin or Socket Versions
- Poles 2, 3, 4, 6, 7, 9, 12 or 25



| Poles | Termination  | Pin Contacts | Socket Contacts | Contacts         |
|-------|--------------|--------------|-----------------|------------------|
| 2     | Screw        | PX0709/P/02  | PX0709/S/02     | Supplied Fitted  |
| 3     | Screw        | PX0709/P/03  | PX0709/S/03     | Supplied Fitted  |
| 3     | Crimp        | PX0708/P/03  | PX0708/S/03     | Supplied Loose   |
| 4     | Screw        | PX0709/P/04  | PX0709/S/04     | Supplied Fitted  |
| 6     | Screw        | PX0709/P/06  | PX0709/S/06     | Supplied Fitted  |
| 7     | Screw        | PX0709/P/07  | PX0709/S/07     | Supplied Fitted  |
| 9     | Crimp        | PX0708/P/09  | PX0708/S/09     | Supplied Loose   |
| 12    | Crimp/Solder | PX0708/P/12  | PX0708/S/12     | Order Separately |
| 25    | Crimp/Solder | PX0708/P/25  | PX0708/S/25     | Order Separately |

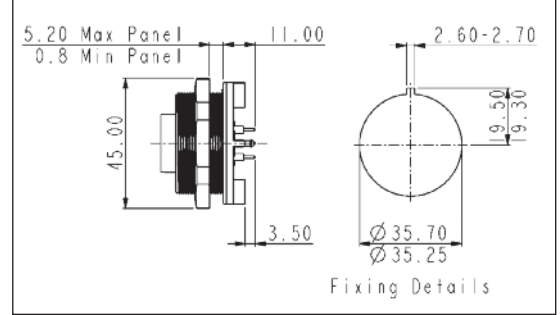
Standard Buccaneer®

PCB MOUNTING CONNECTOR



PX0707/P/12

- Mates with Flex Cable connector
- Rear panel mounting
- No. poles: 3, 6, 9, 12 or 25
- Pin or socket versions
- Pre-loaded Gold Plated contacts



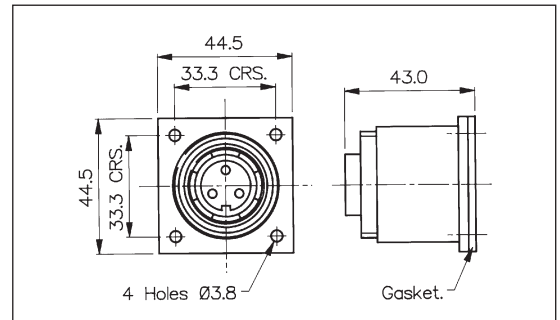
| Poles | Termination | Pin Contacts | Socket Contacts | Contacts        |
|-------|-------------|--------------|-----------------|-----------------|
| 3     | PCB         | PX0707/P/03  | PX0707/S/03     | Supplied Fitted |
| 4     | PCB         | PX0707/P/04  | PX0707/S/04     | Supplied Fitted |
| 6     | PCB         | PX0707/P/06  | PX0707/S/06     | Supplied Fitted |
| 9     | PCB         | PX0707/P/09  | PX0707/S/09     | Supplied Fitted |
| 12    | PCB         | PX0707/P/12  | PX0707/S/12     | Supplied Fitted |
| 25    | PCB         | PX0707/P/25  | PX0707/S/25     | Supplied Fitted |

BULKHEAD FLANGE MOUNTING CONNECTOR



PX0756/S

- Mates with Flex Cable Connector
- Screw Fixing Flange
- Pin or Socket Versions
- Poles 2, 3, 4, 6, 7, 9, 12, 25 or BNC
- Supplied with sealing gasket and screw sealing grommets



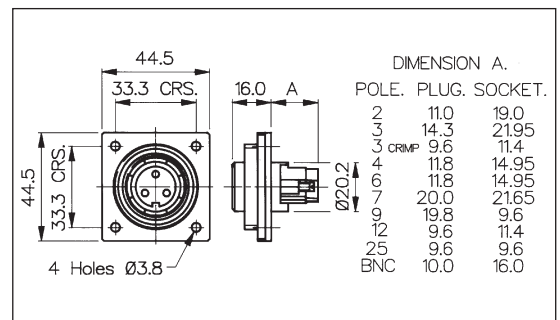
| Poles  | Termination  | Pin Contacts | Socket Contacts | Contacts         |
|--------|--------------|--------------|-----------------|------------------|
| 2      | Screw        | PX0757/P     | PX0757/S        | Supplied Fitted  |
| 3      | Screw        | PX0756/P     | PX0756/S        | Supplied Fitted  |
| 3      | Crimp        | PX0787/P     | PX0787/S        | Supplied Loose   |
| 4      | Screw        | PX0761/P     | PX0761/S        | Supplied Fitted  |
| 6      | Screw        | PX0758/P     | PX0758/S        | Supplied Fitted  |
| 7      | Screw        | PX0760/P     | PX0760/S        | Supplied Fitted  |
| 9      | Crimp        | PX0762/P     | PX0762/S        | Supplied Loose   |
| 12     | Crimp/Solder | PX0798/P     | PX0798/S        | Order Separately |
| 25     | Crimp/Solder | PX0823/P     | PX0823/S        | Order Separately |
| 50ΩBNC | Crimp        |              | PX0759/S/50OHM  | Supplied Loose   |
| 75ΩBNC | Crimp        |              | PX0759/S/75OHM  | Supplied Loose   |

LOW PROFILE FLANGE MOUNTING CONNECTOR



PX0765/S

- Screw Flange Fixing
- Pin or Socket Versions
- Poles 2, 3, 4, 6, 7, 9, 12, 25 or BNC
- Mates with Flex Cable Connector
- Supplied with sealing gasket and screw sealing grommets



| Poles  | Termination  | Pin Contacts | Socket Contacts | Contacts         |
|--------|--------------|--------------|-----------------|------------------|
| 2      | Screw        | PX0764/P     | PX0764/S        | Supplied Fitted  |
| 3      | Screw        | PX0765/P     | PX0765/S        | Supplied Fitted  |
| 3      | Crimp        | PX0781/P     | PX0781/S        | Supplied Loose   |
| 4      | Screw        | PX0766/P     | PX0766/S        | Supplied Fitted  |
| 6      | Screw        | PX0767/P     | PX0767/S        | Supplied Fitted  |
| 7      | Screw        | PX0768/P     | PX0768/S        | Supplied Fitted  |
| 9      | Crimp        | PX0769/P     | PX0769/S        | Supplied Loose   |
| 12     | Crimp/Solder | PX0797/P     | PX0797/S        | Order Separately |
| 25     | Crimp/Solder | PX0824/P     | PX0824/S        | Order Separately |
| 50ΩBNC | Crimp        |              | PX0763/S/50OHM  | Supplied Loose   |
| 75ΩBNC | Crimp        |              | PX0763/S/75OHM  | Supplied Loose   |

BUCCANEER

Standard Buccaneer®

BUCCANEER

COLOURED CONTACT INSERTS



Coloured Inserts

- With or without matching gland nut
- Positive visual identification
- Available in; Black, Blue, Green, Grey, Light Grey, Red, White and Yellow

Contact Inserts Colour Options

| Part No Suffix | Colour     |
|----------------|------------|
| Blank          | Black      |
| BL             | Blue       |
| GN             | Green      |
| GY             | Grey       |
| LG             | Light Grey |
| RD             | Red        |
| WH             | White      |
| YL             | Yellow     |

Insert/Gland Nut Combinations

|   |                               |
|---|-------------------------------|
| 1 | Insert and Gland Nut Coloured |
| 2 | Insert Only Coloured          |

e. g. PX0731/P/YL1 = Yellow insert and gland nut

CONTACTS FOR 12 AND 25 POLE INSERTS



12 & 25 way contacts

- Crimp or Solder Pins and Sockets
- Gold Plated
- Current ratings:  
12 way: 5A, 50V  
25 way: 1A, 50V

Contacts - Solder & Crimp for 12 and 25 pole

| Contacts (for 25 pole)<br>(Supplied in packs of 10) | Solder   | Crimp  |
|-----------------------------------------------------|----------|--------|
| Pins                                                | SA3180/1 | SA3180 |
| Sockets                                             | SA3179/1 | SA3179 |

| Contacts (for 12 pole)<br>(Supplied in packs of 10) | Solder   | Crimp  |
|-----------------------------------------------------|----------|--------|
| Pins                                                | SA3348/1 | SA3348 |
| Sockets                                             | SA3347/1 | SA3347 |

ASSEMBLY TOOLS



PNo 13027 and 13170

- Crimp Tools for 3, 9, 12 and 25 pole crimp contacts
- Insertion/Extraction Tool for 25 pole contacts

| Tools                               |                             |
|-------------------------------------|-----------------------------|
| Crimp Tool (25 pole)                | PNo. 13170                  |
| Crimp Tool (12 pole)                | PNo. 14025                  |
| Positioner (12 pole)                | PNo. 14025/5AMP             |
| Crimp Tool (9 pole)                 | PNo. 13826                  |
| Crimp Tool (3 pole)                 | PNo. 14232                  |
| 3 pole positioner                   | PNo. 14232/1                |
| Insertion/Extraction Tool (25 pole) | PNo. 13027                  |
| Insertion/Extraction Tool (12 pole) | PNo. 13027/1                |
| Hex Cavities for BNC Inserts        |                             |
| Centre Contact:                     | 1.69 A/F (B.S. 'W'/ERMA XA) |
| Braid:                              | 6.48 A/F (B.S. 'E'/ERMA XH) |

CABLE GLANDS



SA3253

- Pack of alternative cable glands to suit cables from 3.5 to 9mm dia.

Cable Acceptance - Alternatives

| Cable Diameter | Gland Part No. | Gland Colour                                                | Additional Suffix      |
|----------------|----------------|-------------------------------------------------------------|------------------------|
| 6-8mm          | 12023          | Black                                                       | Standard for 2-12 pole |
| 3.5-5mm        | SA3426         | Grey                                                        | Suffix /04†            |
| 5-7mm          | 12023/1        | White                                                       | Suffix /05             |
| 7-9mm          | 12023/2        | Yellow                                                      | Suffix /07*            |
| Gland Pack     | SA3253         | Pack of 3 glands to suit cables 3.5-5mm, 5-7mm & 7-9mm dia† |                        |

\*Note: 7-9mm gland standard for 25 way, no suffix required.  
†Includes additional black gland cage for 3.5-5mm dia. cable range.

To order connector with alternative cable gland add suffix to part no. e.g. PX0731/P/07 = PX0731 3 pin connector with cable gland to suit 7-9mm dia. cable.

Cable Acceptance - Standard as supplied

| No. Contacts | Cable Diameter or Type |
|--------------|------------------------|
| 2-12 Pole    | 6-8mm                  |
| 25 Pole      | 7-9mm                  |
| BNC 50Ω      | RG 58/CU, URM43, URM76 |
| BNC 75Ω      | URM70                  |

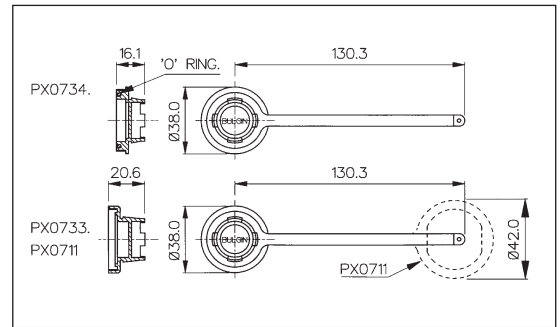
Standard Buccaneer®

SEALING CAP/ASSEMBLY TOOL



PX0734 PX0733

- Maintains IP68 Rating of Unmated Connectors
- Can be used to remove Inserts
- PX0734 for Flex Cable Connector
- PX0733 for In-line Flex, Front Panel, Bulkhead and Flange mount connectors
- PX0711 for PCB and Rear Panel Mount connectors

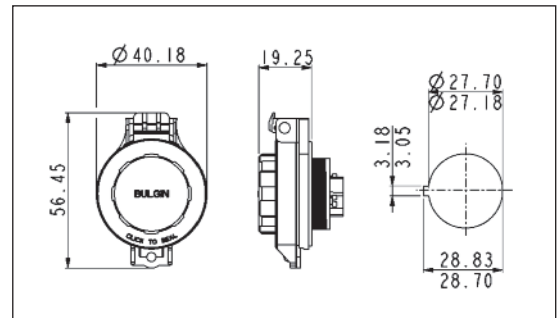


SPRUNG LOADED SEALING CAP



PX0713

- IP54 rated
- Sprung loaded
- Clip shut to seal
- For use with front of panel mounting connector types

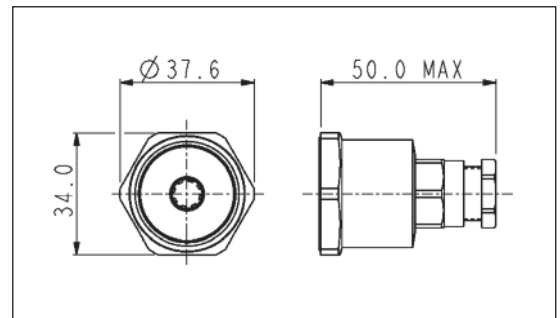


REAR OF PANEL BACKSHELL



PX0799

- Provides environmental seal to rear of panel
- Standard cable acceptance 6-8mm, 3.5 to 9mm with alternative glands
- For use on front panel mounting connectors

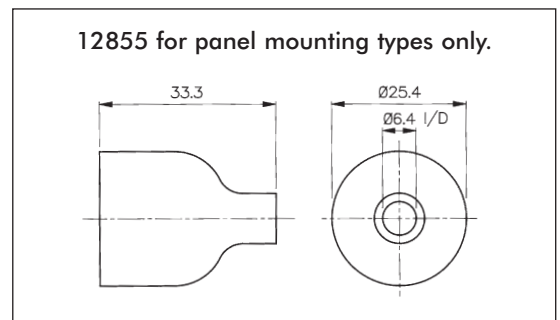


PVC INSULATION BOOT



PNo. 12855

- Protects Rear of the Connector
- Flammability Rating UL94V-0
- Fits Front Panel Mount Versions only

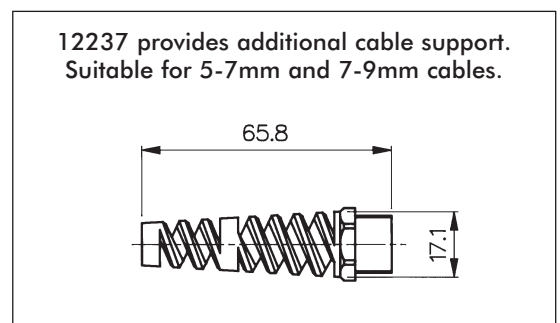


CABLE SUPPORT ACCESSORY



PNo. 12237

- Gives Extra Support to the Cable
- Suitable for 5-7mm and 7-9mm Cable Diameters

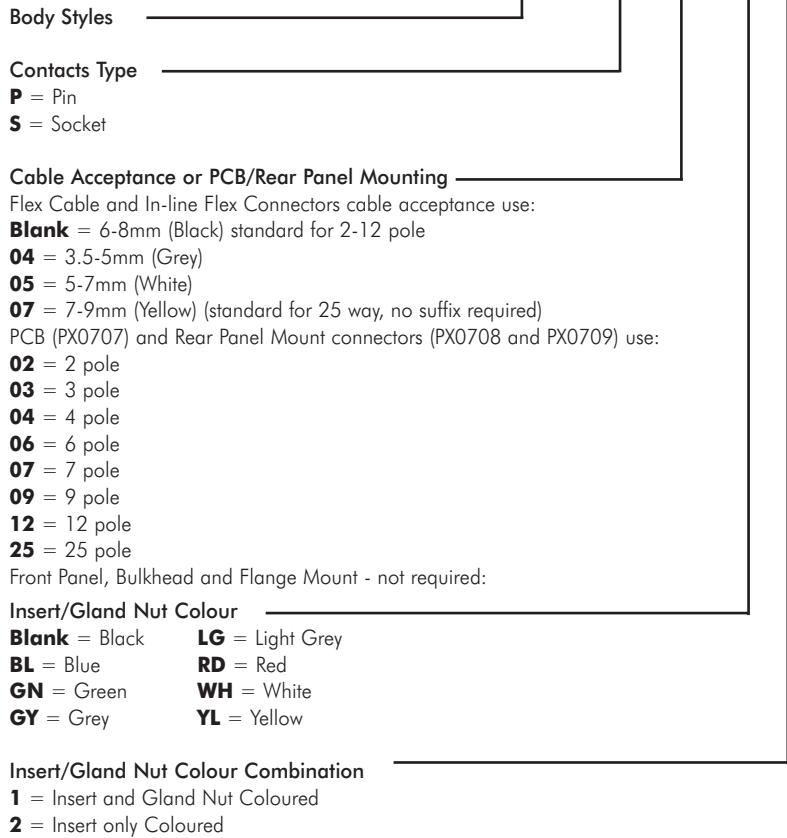


BUCCANEER

**Standard Buccaneer®**

**PART NO SYSTEM**

**PX0xxx / x / xx / xx x**




**Examples:**

- PX0707/P/06 = PCB Panel connector, pin contacts, 6 pole
- PX0731/S = Flex Cable connector, socket contacts, 3 pole
- PX0732/P/07/BL2 = In-Line Flex Cable connector, pin contacts, 3 pole, 7-9mm cable acceptance, blue insert

**SPECIFICATION**

**Electrical:**

|                         |                                                                                                                                                 |
|-------------------------|-------------------------------------------------------------------------------------------------------------------------------------------------|
| No. Poles:              | 2, 3 4 6, 7 9 12 25                                                                                                                             |
| Current Rating:         | 10A 6A 3A 5A 5A 1A                                                                                                                              |
| Voltage Rating (ac/dc): | 250V 250V 250V 150V 50V 50V                                                                                                                     |
| Contact Resistance:     | <10mΩ (2-9 Pole)<br><5mΩ (12 Pole)<br><5mΩ (25 Pole)                                                                                            |
| Insulation Resistance:  | >10 <sup>4</sup> MΩ @ 500V d.c. (2-9 Pole)                                                                                                      |
| AC Breakdown voltage:   | 4kV Pole - Pole (2-9 Pole)<br>6kV Poles - Panel (Low Profile Flange and Panel Types – 2-9 Pole)<br>7.5kV Poles - Panel (Other Types – 2-9 Pole) |
| Operating Temp. Range:  | -20°C to +70°C                                                                                                                                  |
| Approvals:              | <br>Approvals pending: 3 way crimp,<br>12 way, PX0707 & PX0709 |

**Material:**

|                              |                                                |
|------------------------------|------------------------------------------------|
| Body Mouldings:              | Glass Filled Polyamide UL94HB                  |
| Inserts (2-25 pole):         | Polyamide UL94V-0                              |
| Contacts:                    |                                                |
| Screw Terminal:              | Brass, Nickel Plated                           |
| Crimp (9 pole):              | Copper Alloy, Tin Plated                       |
| Crimp/Solder (12 + 25 Pole): | Copper Alloy, Gold Plated<br>(0.1µm on Nickel) |
| BNC inserts:                 | Brass, Nickel Plated                           |
| BNC contacts:                | Brass, Silver Plated                           |
|                              | Compliant                                      |

**RoHS**

**Mechanical:**

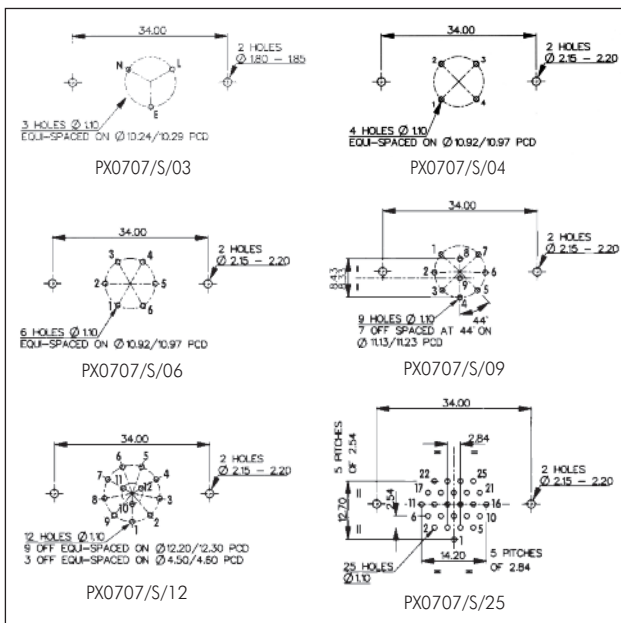
|                                                      |                                                                                                                                                                                |
|------------------------------------------------------|--------------------------------------------------------------------------------------------------------------------------------------------------------------------------------|
| Sealing:                                             | IP68, BS 5490 : 1977 Tested @<br>1.054kg/sq.cm. (15lb/sq.in.) 10m depth for<br>2 weeks.<br>BSEN 60529 : 1992 Tested @ 9.84kg/sq.cm.<br>(140lb/sq.in.) 100m depth for 12 hours. |
| Cable Acceptance:                                    |                                                                                                                                                                                |
| 2-12 Pole - standard gland:                          | 6-8mm dia                                                                                                                                                                      |
| 2-12 Pole - alternative glands:                      | 3.5-9mm dia                                                                                                                                                                    |
| 25 Pole - standard gland:                            | 7-9mm dim                                                                                                                                                                      |
| 25 Pole - alternative glands:                        | 3.5-7mm dim                                                                                                                                                                    |
| BNC 50Ω:                                             | RG 58/CU, URM43 & URM76                                                                                                                                                        |
| BNC 75Ω:                                             | URM70                                                                                                                                                                          |
| Contact Accommodation:                               |                                                                                                                                                                                |
| 2 and 3 pole screw terminals:                        | 4mm <sup>2</sup> (12AWG) max                                                                                                                                                   |
| 3 pole crimp:                                        |                                                                                                                                                                                |
| 4, 6 and 7 pole:                                     | 1.5mm <sup>2</sup> (16AWG) max                                                                                                                                                 |
| 9 pole:                                              | 0.12-0.21mm <sup>2</sup> (24-26AWG)                                                                                                                                            |
| 12 pole:                                             | 0.32mm <sup>2</sup> (22-26AWG) max                                                                                                                                             |
| 25 pole:                                             | 0.12-0.21mm <sup>2</sup> (24-26AWG)                                                                                                                                            |
| Terminations:                                        |                                                                                                                                                                                |
| 2-7 Pole:                                            | Screw Terminals                                                                                                                                                                |
| 3 Pole:                                              | Screw Terminals & Crimp                                                                                                                                                        |
| 9 Pole:                                              | Crimp Contacts                                                                                                                                                                 |
| 12 Pole:                                             | Crimp & Solder Contacts                                                                                                                                                        |
| 25 Pole:                                             | Crimp & Solder Contacts                                                                                                                                                        |
| Tightening Torques:                                  |                                                                                                                                                                                |
| Flex Mounting/In-Line:                               | Gland Nut; 1.13Nm (10lbf.in.)                                                                                                                                                  |
| Panel Mounting:                                      | Rear Fixing Nut; 1.7Nm (15lbf.in.)                                                                                                                                             |
| Surface/Bulkhead and Low<br>Profile Flange Mounting: | 4 Fixing Screws (using washers supplied)<br>0.34Nm (3lbf.in.)                                                                                                                  |
| Sealings Caps/Locking Ring:                          | 1.13Nm (10lbf.in.)                                                                                                                                                             |

BUCCANEER

**PCB LAYOUTS**

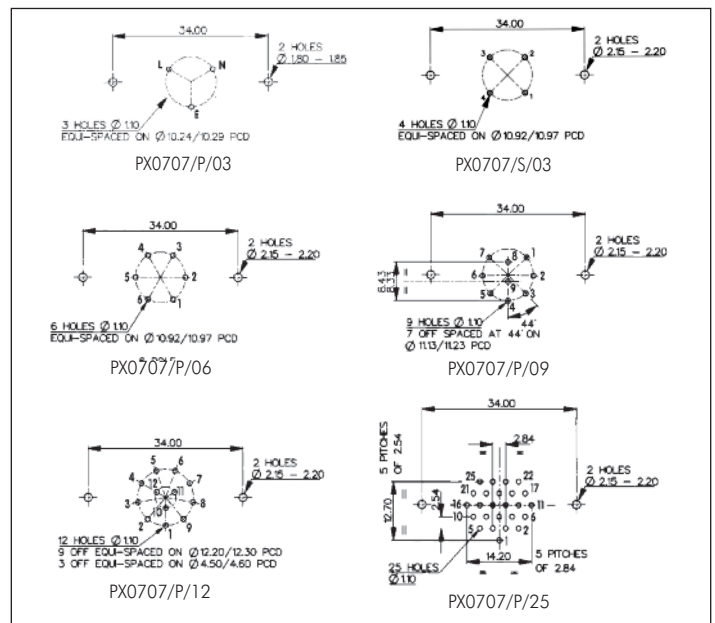
**Sockets**

Contact Nos viewed from rear of panel



**Pins**

Contact Nos viewed from rear of panel



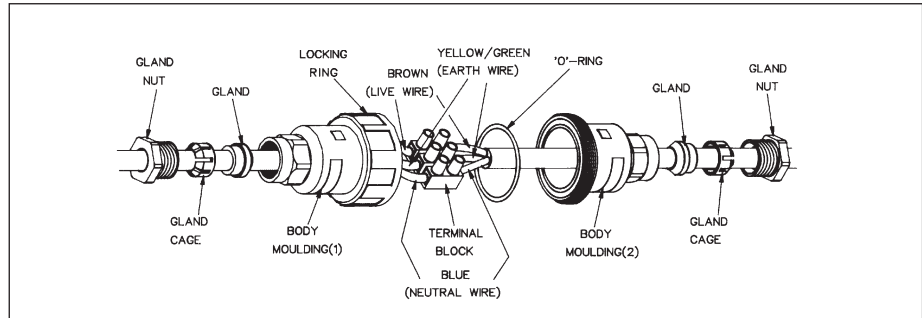
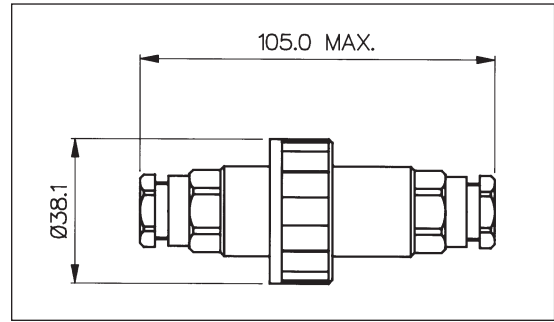


Sealed In-Line Cable Joiner

CABLE JOINER



- IP68 Rating
- For Sealed In-Line Connections
- Standard Cable Acceptance 6-8mm
- Cable Range 3.5-9mm (using alternative glands)
- Supplied with 3 way Terminal Block
- Available Moulded in Black or Orange



| Specification          | PX0777                                                                           |
|------------------------|----------------------------------------------------------------------------------|
| Rating:                | 16A, 250V a.c.                                                                   |
| Wire Termination:      | 3 way Terminal Block (2.5mm <sup>2</sup> -14 AWG max)                            |
| Cable Acceptance:      | 6-8mm dia<br>alternative glands available on request                             |
| Material:              | Glass Filled Polyamide UL94HB                                                    |
| Sealing:               | IP68 to BSEN 60529 : 1992 1.054kg/sq.cm.<br>(15lbs/sq.in.) 10m depth for 2 weeks |
| Operating Temp. Range: | -20°C to +70°C                                                                   |
| Colour:                | Black<br>Orange (Add /OR to PNo.)                                                |
| BNC Cable Types:       | 50 ohm – RG58/CU, URM43 & URM76<br>For BNC version of PX0777 add /50OHM to PNo.  |
| Approvals:             | Ⓢ (Standard part no. only)                                                       |
| <b>RoHS</b>            | Compliant                                                                        |